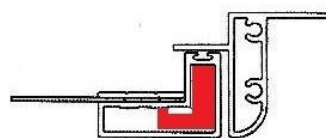
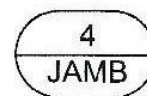
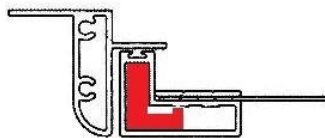
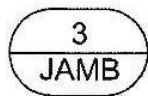
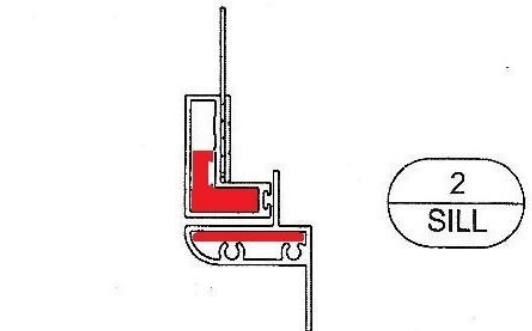
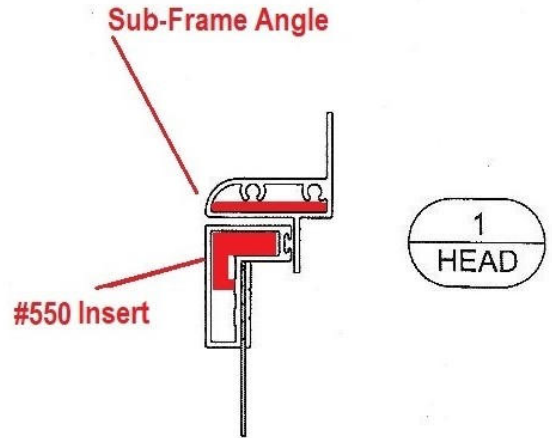
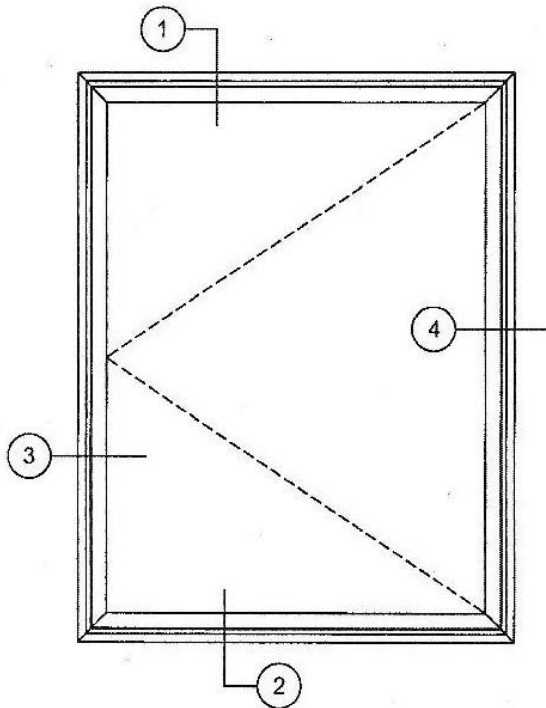


Hinge Options: Top, Side, Center, or Fixed

Latch Options: Single Point Release
 Barrel Bolts
 Bit Key (Outside Access)

Center Bar/Divider Bar is available upon request



SUB-FRAME ANGLE AND #550 INSERT ARE OPTIONAL